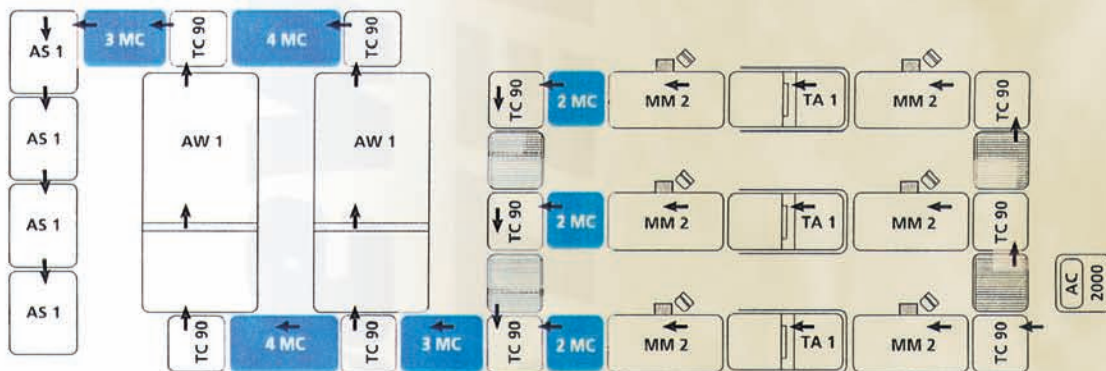
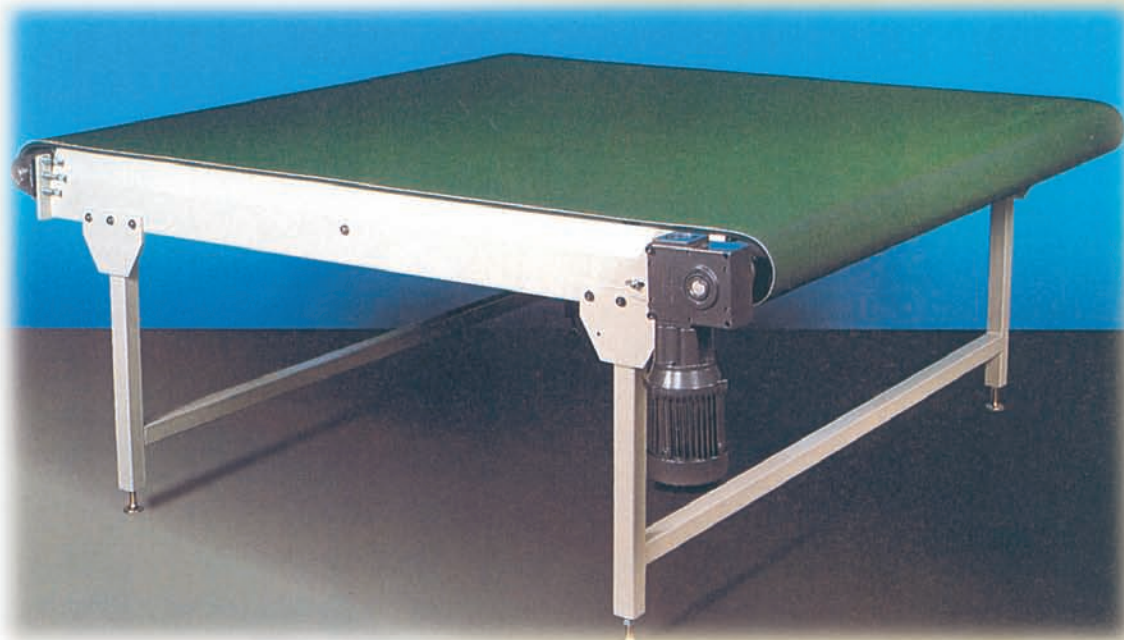


GS-2MC/3MC/4MC Motorised Belt Conveyors

Motorised Conveyors



The Gateway straight line conveyor is specifically designed to link our mattress making and handling machines to form a complete production system. Although we find that our 2, 3 and 4 metre standard lengths suit virtually every application, we can supply any length to special order.

The modules can be used inclined with, for example, a TC90H high level turning conveyor.

Long term reliability is built-in, because we simply will not allow any weak link to compromise the productivity of our mattress manufacturing systems. The frame and rollers are made from rugged heavy duty steel and components are all top quality brands.

Where most conveyors make do with unprotected rollers, which can easily damage unfinished mattresses, Gateway use smooth full width flat belts in PVC or silicone.

Of course, they also incorporate the benefits of our specialist expertise and are supported by our highly skilled and experienced team.



GLOBAL SYSTEMS GROUP®
Creative Companies. Endless Possibilities.